

Supreme 500 Single Auger



[Read More](#)

SKU:

Price:

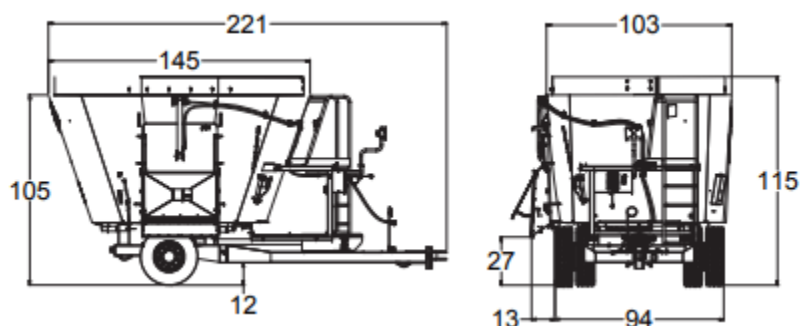
Stock: instock

Categories: [Supreme TMR Feed Mixer Wagons](#), [Uncategorised](#)

Tags: [mixer](#), [supreme](#)

Product Description

A Supreme Feed Processor helps you provide nutritious rations for your cattle by improved mix quality through superior tub and auger design. Along with great ROI from your feedstuffs, a Supreme Feed Processor provides a great investment as it holds high resale value. You enjoy the reliability you need from a well-built machine made with quality components. The 500 Pull-Type has a maximum payload of 14,000 lbs (6,350 kg), struck capacity of 394 ft³ (11.2 m³) or 459 ft³ (13.0 m³) with tub extension, and requires 100 horse power (75 kW). Unlike most other vertical mixers that use smaller single stage planetary drives, Supreme uses the heaviest two-stage planetary drive available. Combined with a heavy duty gearbox, this robust system rotates the auger through the toughest of materials. This simple design features few moving parts with no chains, sprockets or countershafts to worry about. Each Supreme pull type is built to order with a large variety of options available, ensuring each customer gets a unit that is designed to meet their specific needs.



Minimum Power Requirements: 100 hp / 75 kW

Unit Capacity: Struck Capacity: 394 ft³ / 11.2 m³ Capacity with Extension: 459 ft³ / 13.0 m³

Tires: 235 x 75 x 17.5 Tires

Empty Weight: 9,000 lbs / 4,082 kg

Max Payload: 14,000 lbs / 6,350 kg

Dimensions: Height: 105" / 267 cm Height w/ 10" Extension: 115" / 292 cm Overall Width: 103" / 262 cm

Overall Length : 221" / 561 cm

Drive / rpm PTO: 2-Stage Heavy-Duty Planetary Drive / 540 or 1,000 rpm PTO

Standard Discharge Ground Clearance: SIDE DOOR: Fixed Chute: 27" / 69 cm 21" Fixed: 36" / 91 cm 36" Folding; 42" / 107 cm 44" Folding: 46" / 117 cm 96" Folding: 68" / 173 cm FRONT DOOR w/ CONVEYOR: Flat: 27" / 69 cm Dogleg: 40" / 102 cm Ext. Dogleg: 51" / 130 cm 42" Folding: 44" / 112 cm 54" Folding: 49" / 124 cm

Number of Knives : 5 Replaceable Forage Cutting Blades

Conveyor: Left or Right Hand Side Door with Drop Chute

Floor Thickness: 5/8" / 16 mm M/S Floor

Wall Thickness: 1/4" / 6 mm AR200 Walls

Standards Specifications:

- Patented Freestanding Vertical Mixing Auger
 - Manual Restrictor Plates
 - Heavy-Duty Tubular Steel Frame
 - 5/8" / 16 mm AR200 Auger Flighting
 - 3 pt Scale System
 - 12 Volt Battery
 - Ultra Wear Kickerplate
 - SS Conveyor Top Pan on Conveyor Models
 - Steel Oil Reservoir
 - Removable Heavy-Duty Hitch Jack
 - Viewing Platform
-